



AN AUSTRALIAN COMPANY  
ESTABLISHED 1890



# STEALTH

CONCEALED FOLDING DOOR  
TRACK SYSTEMS

## FEATURES:

- NYLON WHEELS WITH LUBRICATED BALL BEARINGS
- FOUR NYLON WHEELS RIVETED TO NYLON PIVOT BODY
- ONE WAY PUSH IN RIVETED STEEL PIN
- CHROME PLATED WHEEL BRACKET
- SCREW HOLES IN WHEEL BRACKET
- CLIP ON FULL OVERLAY CONCEALED HINGE
- ADJUSTMENT SLOTS AND SCREWS IN HINGE
- ADJUSTABLE CENTRE FOLDING HINGES
- INDUSTRY RECOGNISED 35 mm DIA HOLE
- WRAP-AROUND ALUMINIUM TRACK
- ALUMINIUM TRACK ALSO AVAILABLE IN CLEAR ANODISED

## BENEFITS:

- QUIET AND SMOOTH RUNNING
- ACCOMMODATES 2100 (H) x 600 (W) mm DOOR LEAF
- MAINTAINS SECURE LINEAR GUIDING OF LEADING LEAF
- CORROSION RESISTANT WITH VISUAL APPEAL
- SUITABLE FOR MOST CONCEALED HINGES
- DOOR CAN BE DISENGAGED FROM TRACK
- FULL ADJUSTABLE FOR DOOR TO CARCASS ALIGNMENT
- ADJUSTS FOR DOOR LEAF ALIGNMENT AND CENTRE GAP
- FOR EASE OF INSTALLATION
- STOPS WHEEL GUIDE DERAILMENT
- ELIMINATES OXIDISATION OF ALUMINIUM TRACK

## AVAILABLE IN THE FOLLOWING PACK:

**P385 COMPONENTS PACK FOR TWO FOLDING LEAF DOORS,**  
CONTAINS: 1 x TT38500 WHEEL ASSEMBLY,  
3 x TT38700 CLIP ON FULL OVERLAY CONCEALED HINGE  
WITH BACKPLATE,  
2 x TT38200 ADJUSTABLE CENTRE HINGE,  
ALL FIXING SCREWS, AND  
INSTALLATION SHEET.

## AVAILABLE SEPARATELY:

**TT320 ALUMINIUM TRACK,** AVAILABLE IN LENGTHS:  
2000, 2500, 3400, 4500 mm IN MILL FINISH, AND  
4500 mm IN CLEAR ANODISED.

**TT38500 WHEEL ASSEMBLY**

**TT38700 CLIP ON FULL OVERLAY CONCEALED HINGE**  
WITH BACKPLATE

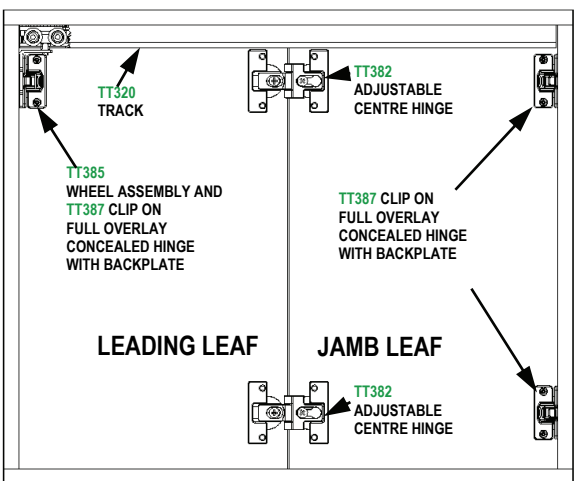
**TT38200 ADJUSTABLE CENTRE HINGE**

NOTE: SCREWS NOT SUPPLIED ON ITEMS AVAILABLE SEPERATELY

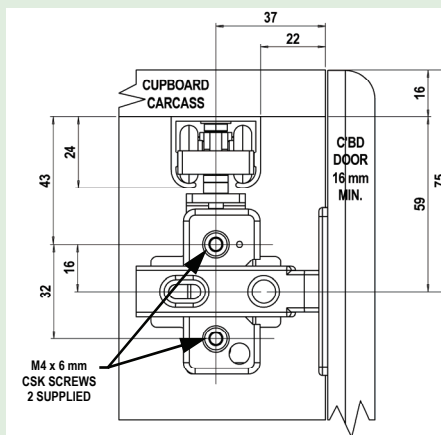
## RECOMMENDED REQUIREMENTS:

MINIMUM DOOR THICKNESS: 16 mm.  
MAXIMUM DOOR THICKNESS: 25 mm.  
MAXIMUM DOOR LEAF WIDTH: 600 mm.  
MAXIMUM DOOR HEIGHT: 2100 mm (1000 mm FOR P385)  
HINGE REQUIREMENT FOR DOOR HEIGHT UP TO:  
1000 mm = 2 HINGES\* + 1 HINGE FOR WHEEL (P385 PACK)  
1500 mm = 3 HINGES\* + 1 HINGE FOR WHEEL  
2000 mm = 4 HINGES\* + 1 HINGE FOR WHEEL  
2100 mm = 5 HINGES\* + 1 HINGE FOR WHEEL

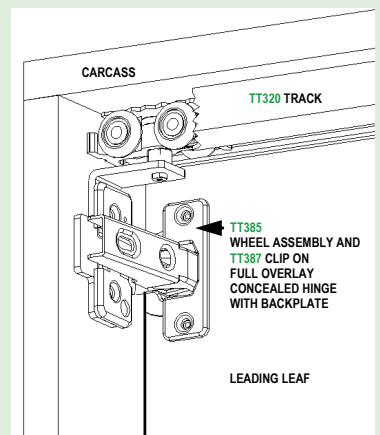
\* DENOTES: 1 x TT38700 CLIP ON FULL OVERLAY CONCEALED HINGE WITH  
BACKPLATE AND 1 x TT38200 ADJUSTABLE CENTRE HINGE.



**FIG. 4 - REAR VIEW (showing 2 Door Leaf Application up to 1000 mm High)**



**FIG. 3 - END VIEW**



**FIG. 5 - WHEEL ASSEMBLY WITH CONCEALED HINGE (Showing Track Cut Away)**

© THE COWDROY LOGO IS A REGISTERED TRADEMARK OF H. M. COWDROY PTY. LIMITED

SPECIFICATIONS SUBJECT TO CHANGE WITHOUT NOTICE

H. M. COWDROY PTY. LIMITED

HEAD OFFICE, AND FACTORY  
SYDNEY, NEW SOUTH WALES:  
48 Justin Street,  
Smithfield, NSW 2164.  
Australia.  
Phone: (02) 9604 3000  
Fax: (02) 9604 8129  
Sales Fax: (02) 9609 3694  
Website: www.cowdroy.com.au  
Email: cowdroy@cowdroy.com.au  
Sales Email: sales@cowdroy.com.au



ABN 47 000 033 947

MELBOURNE, VICTORIA:  
53 Shearson Crescent, Mentone, VIC 3194.  
Phone: (03) 9585 0599 Fax: (03) 9585 1310

BRISBANE, QUEENSLAND:  
180 Kerry Road, Archerfield, QLD 4108.  
Phone: (07) 3274 5454 Fax: (07) 3274 5474

TOWNSVILLE, NORTH QUEENSLAND:  
Unit 1, 42 Carmel Street, Garbutt, QLD 4814.  
Phone: (07) 4779 5166 Fax: (07) 4725 5495

ADELAIDE, SOUTH AUSTRALIA:  
Unit 7, 4 Deacon Avenue, Richmond, SA 5033.  
Phone: (08) 8443 5222 Fax: (08) 8443 3066

DARWIN, NORTHERN TERRITORY:  
U13/128 Coonawarra Road, Winnellie, NT 0821.  
Phone: (08) 8947 4668 Fax: (08) 8947 6980

PERTH, WESTERN AUSTRALIA:  
Unit 2, 23 Gibberd Road, Balcatta, WA 6021.  
Phone: (08) 9240 2455 Fax: (08) 9240 2404

INTERSTATE AGENTS:  
LAUNCESTON, TASMANIA  
Access Hardware Tasmania Pty. Limited  
42 Invermay Road, Launceston, TAS 7248  
Phone: (03) 6331 2533 Fax: (03) 6331 2733

NEW ZEALAND:  
AUCKLAND:  
Cowdroy Products Limited  
4 Andromeda Crescent, East Tamaki, Auckland.  
Phone: 0-9-274 7279 Fax: 0-9-274 4453



A MEMBER OF THE  
ALCHIN & LONG GROUP  
OF COMPANIES



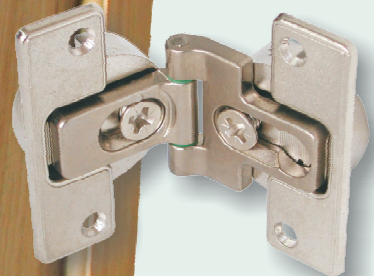
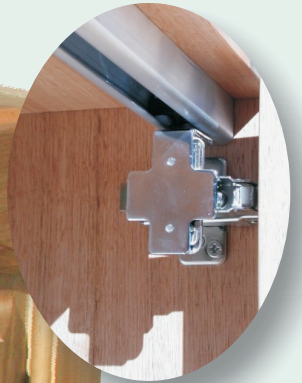
# STEALTH

**Concealed Folding Door  
Track System**

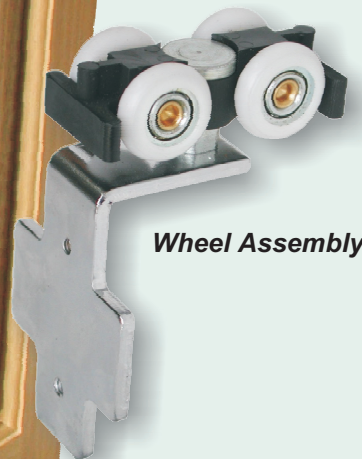


**STEALTH** is a bi-folding door system where the track can only be seen when the doors are open.

Ideal for many applications including kitchens, laundries, bathroom vanities and offices.



**Centre Hinge**



**Wheel Assembly**



**Concealed Hinge**



**Triumph Stealth**