



Engineered to Innovate

Brochure Pack

Metric Version



Mini 120

Striplox
2/30 Walker Street,
Tennyson Brisbane QLD 4105,
Australia
+61 7 3392 6172
striplox@joinlox.com

joinlox.com/striplox



Striplox™ Mini 120

Concealed joints made easy

Striplox Mini connector systems offers flexible and swift handling as well as rapid assembly, producing concealed permanent and reusable invisible joints. Striplox Mini utilises the internationally patented, award winning joining solutions.

Integrating Striplox into your products and processes uses existing methods, but delivers fast, strong assembly of components, panels or sections – either in the factory, in the home or even in the most remote site locations.

Modular components can be shipped in flat pack form for a fraction of the cost, delivering significant competitive advantages. The Striplox Mini provides a secure fully concealed joint suitable for numerous applications offering strength, durability and versatility with limited tools, no loose fasteners and saves on skilled labour costs.



Benefits

- No visible fixings – completely concealed joint
- Eliminates damage – install panels during final build
- Lower transportation cost – flat pack
- Lower labour costs with fast on site assembly
- Strength, Durability and Versatility
- Cabinetry or panels can be fitted permanently or removed with ease
- Joining will not interfere with substrate finish ie. Veneers, 2pac paint
- Can be used in substrates of 12mm thickness and upwards

Applications

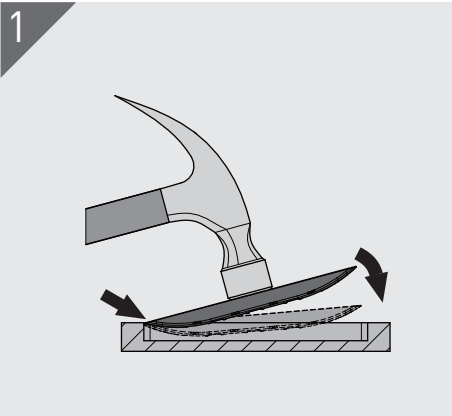
- Feature ceilings, walls, cabinetry, shelving
- Commercial wall paneling and office partitioning
- Modular entertainment builds
- Locker systems assemblies
- Toilet/shower partitioning
- Wardrobe fit outs
- Framing of artwork/mirrors
- Furniture construction and interior fitting
- Shop fitting displays and signage
- Exhibition and trade events
- DIY garden shed and Patio
- RV and Marine fit outs



Get your Striplox Sample Kit!

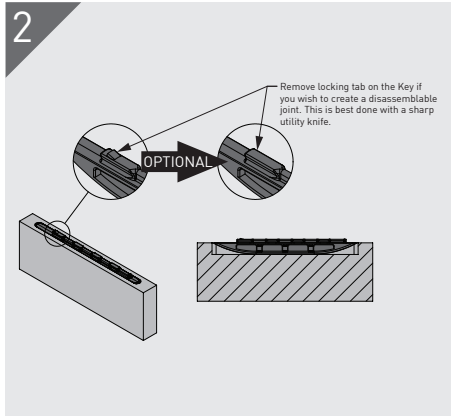
Contact your local distributor or request a Sample Kit from joinlox.com/striplox or call 1800 JOINLOX.

How it works



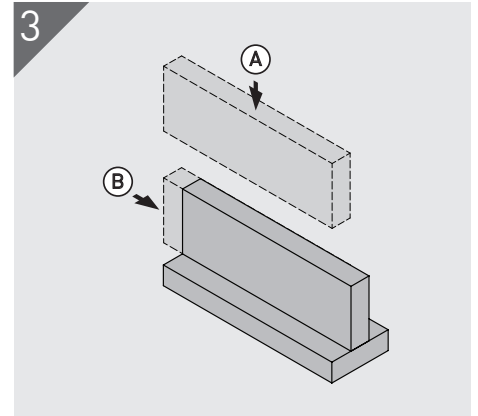
Installation

Apply glue to the groove. To aid in the installation, start by inserting one end in the slot then use a hammer or mallet to tap the Striplox Mini into place.



Assembly

Before assembling the Striplox Mini 120, make note of the locking tab. Leaving this tab in place will prevent unintentional unlocking of joint.



Completion

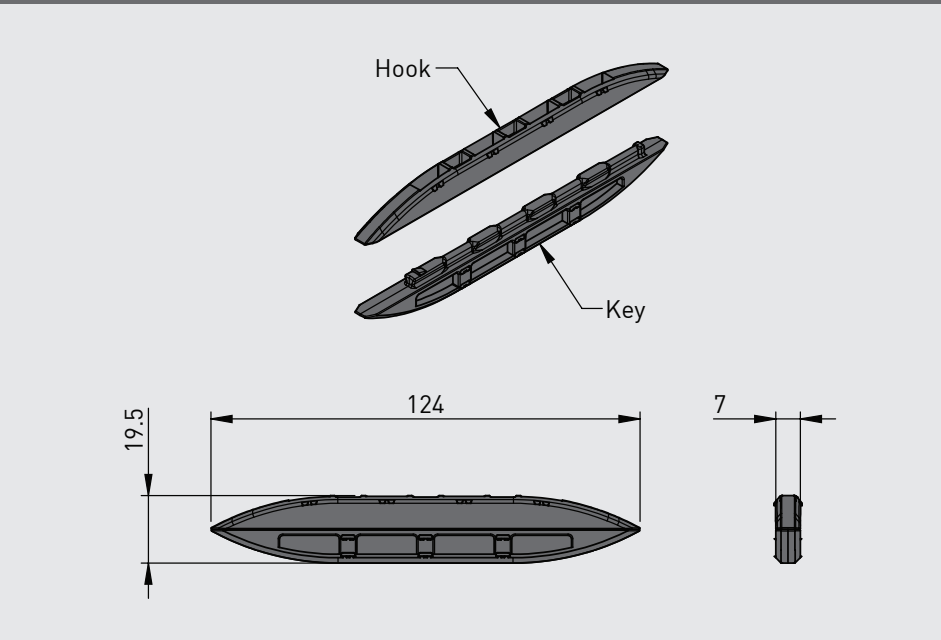
Due to the unique design, the key only need to travel one pitch for full lock-up, giving you a firm, invisible joint every time.

Specifications

Material: High Strength Reinforced Nylon Colour: Black Fixing: Glue <ul style="list-style-type: none"> • Tested using MDF and fixed with glue. • *C is in direction of lock-up 	Direction	Indic. Load Capacity
	A	200 kg
	B	146 kg
	*C	119 kg

- Refer to Mounting Data Sheet for full dimensions
- Refer to Installation Guide

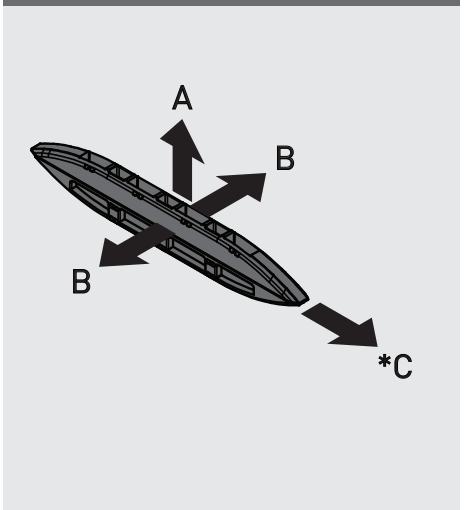
Dimensions



Visit the Striplox website for more information



Load Direction

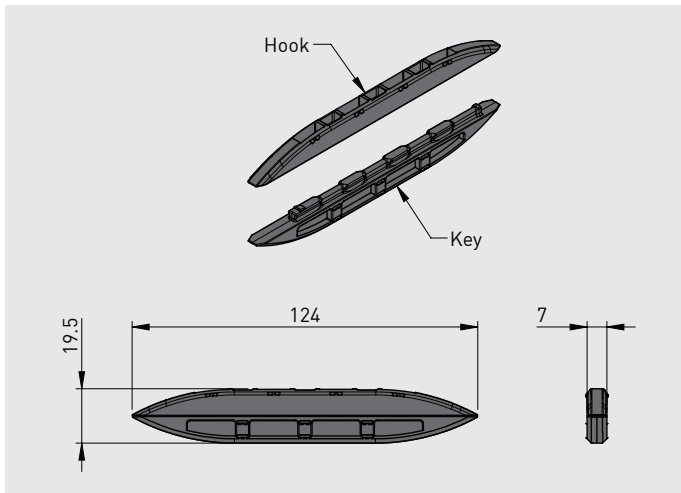


Striplox
 2/30 Walker Street,
 Tennyson Brisbane QLD 4105,
 Australia
 +61 7 3392 6172
 striplox@joinlox.com

Proudly Australian Designed, Owned and Manufactured



joinlox.com/striplox

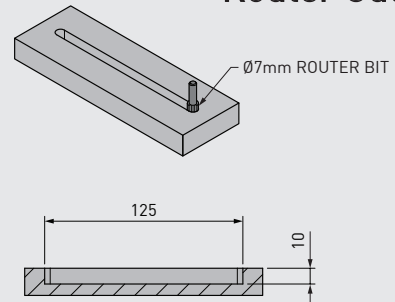


Material	High Strength Reinforced Nylon
Colour	Black
Fixing Method	Glue

Mounting

1

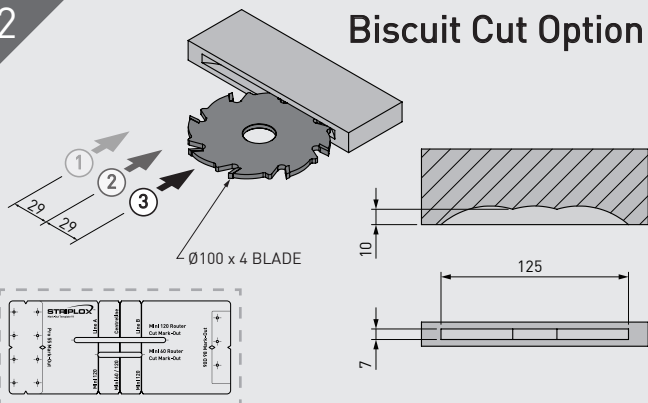
Router Cut Option



Use a $\varnothing 7\text{mm}$ router bit to cut a slot in both substrates where the Hook and Key of the Mini 120 is to be mounted. Depth needs to be 10mm for each.

2

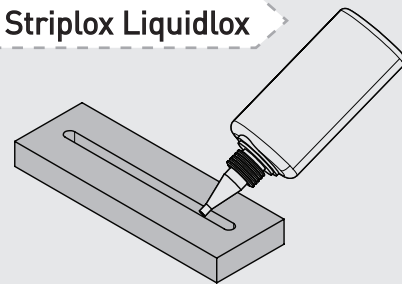
Biscuit Cut Option



Set the depth stop to #20 and guide height for substrate thickness. Plunge in 3 locations then repeat using the **Mark-Out Template**, packing the guide 3mm to achieve a 7mm cut.

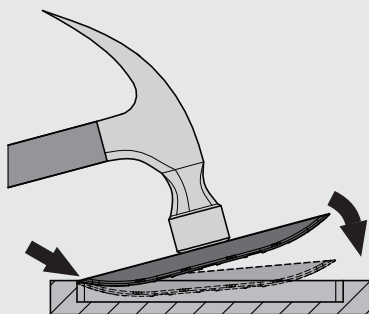
3

Striplox Liquidlox



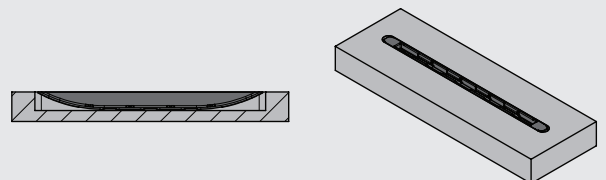
Apply Striplox Liquidlox 15 second cure adhesive to both sides of the slot in each substrate. Visit joinlox.com/striplox or call 1800 JOINLOX to find out more about Striplox Liquidlox and Mark-Out Template.

4

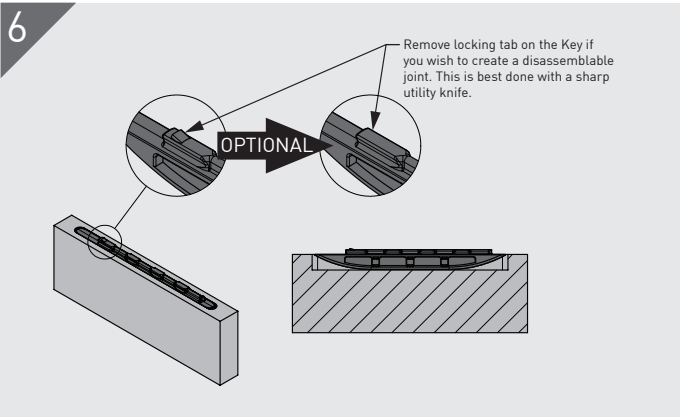


To aid in the installation of the Hook and Key, start by inserting one end in the slot when use a hammer or mallet to tap the component into place.

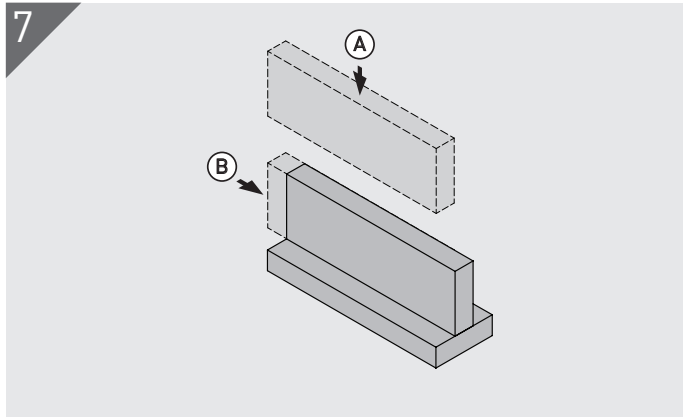
5



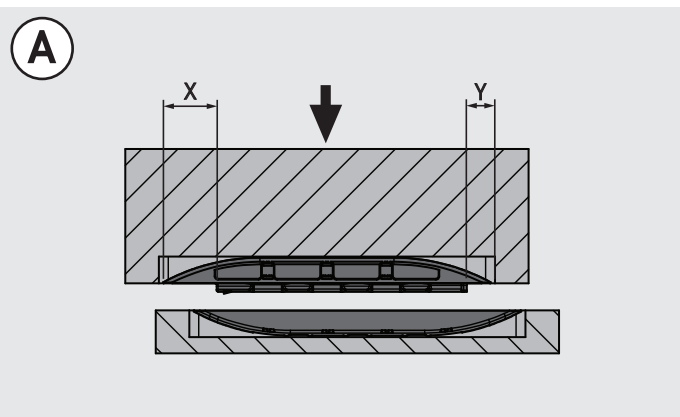
After glue is applied, insert Hook and Key into slot until flush with substrate. Allow to dry as per glue manufactures instructions.



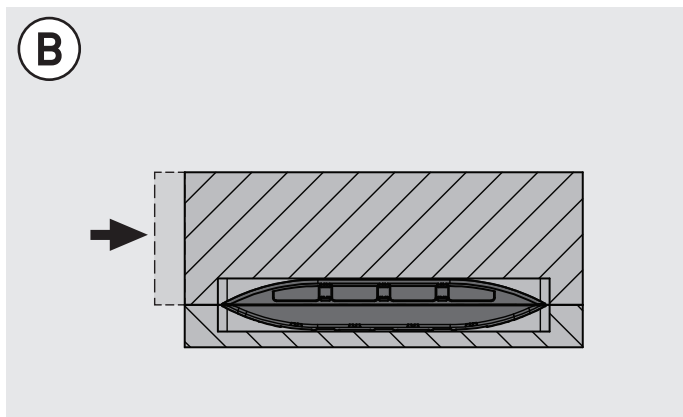
Before assembling the Striplox Mini 120, make note of the locking tab on the Key. Leaving this tab in place will prevent the unintentional unlocking of the joint.



Assembly components remembering the Key only needs to travel 1 pitch for full engagement. This is detailed in steps A and B.

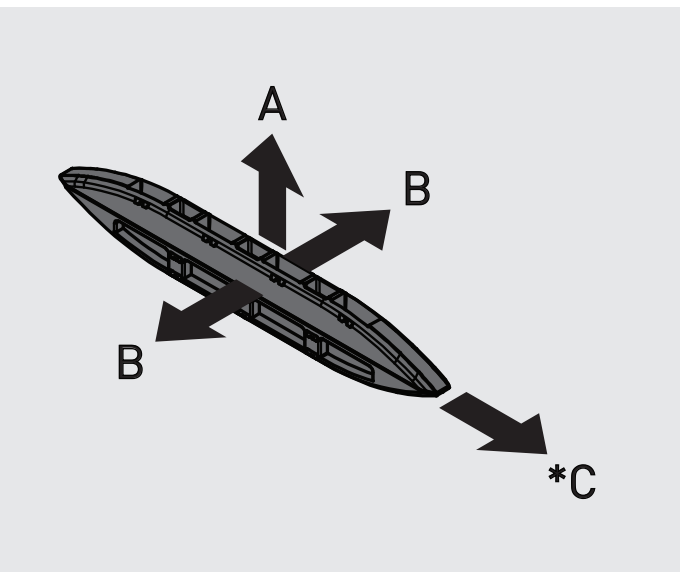


Note the offset of the lugs on the Key body, length X is larger than Y. Insert the Key into the Hook with the longer X end towards the face to be pushed during assembly.



To complete the assembly push the end of the substrate (with X offset) until the Mini 120 is fully engaged.

Load Capacity



Direction	Indic. Load Capacity
A	200 kg
B	146 kg
*C	119 kg

- Tested using MDF and fixed with glue.
- *C is in direction of lock-up.

Striplox Mini 120

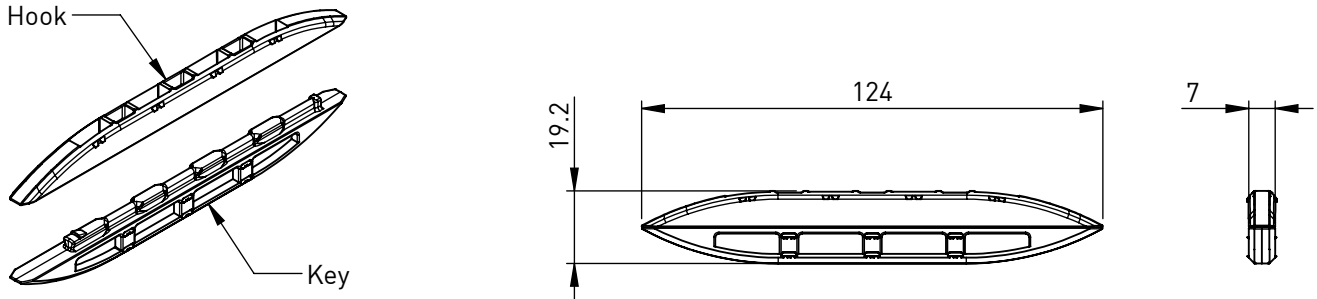
Rapid Assembly Systems



Mounting Data Sheet - Metric Version

All dimension in mm

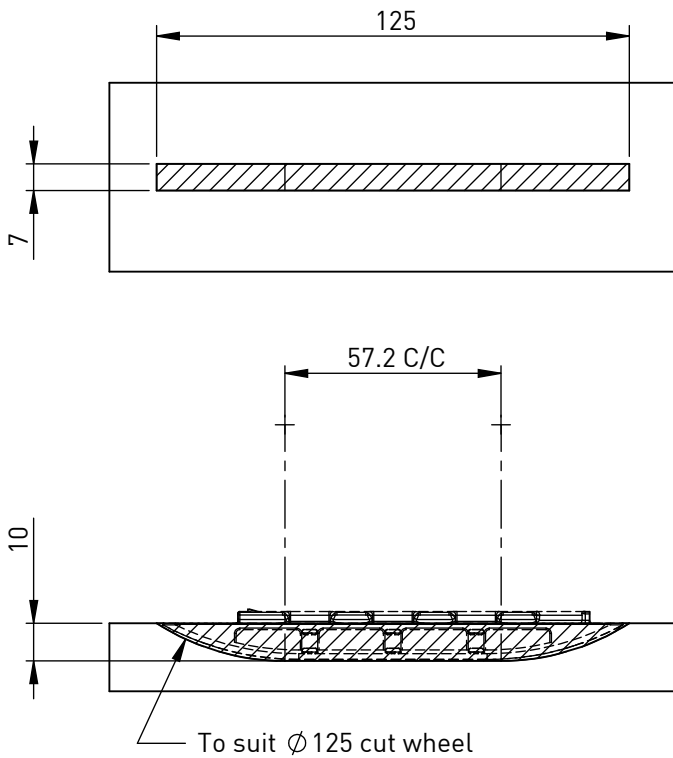
General Dimensions



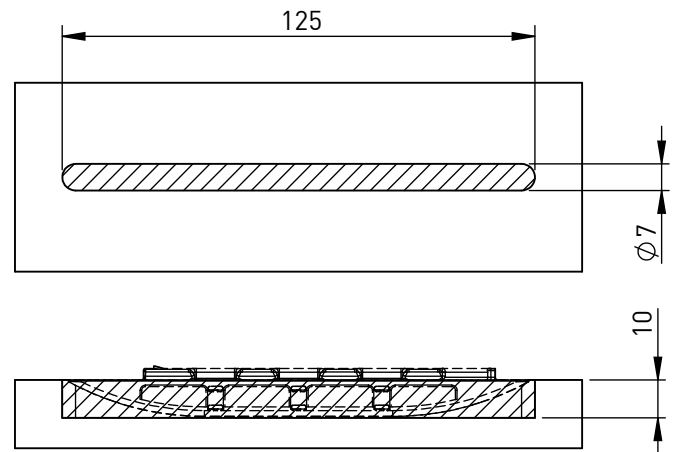
Material	High Strength Reinforced Nylon
Colour	Black
Fixing Method	Glue

Mounting Dimensions

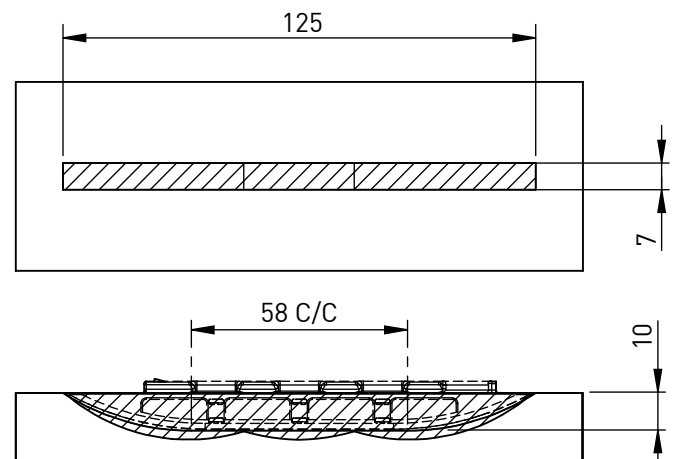
Option A - Cutting Wheel



Option B - Router Cut



Option C - Biscuit Cutter



Notes:

1. Groove detail typical for both Hook and Key halves.
2. Key shown in groove.