



### Lift Flap Hinge

- \* Material: hardened steel
- \* For kitchen lift doors, 3 screw holes fixing and two key holes for door
- \* Each set includes one left side piece and one right side
- \* Finish: white, brown, silver/RAL9006 epoxy coating or nickel, zinc plating

#### #22360

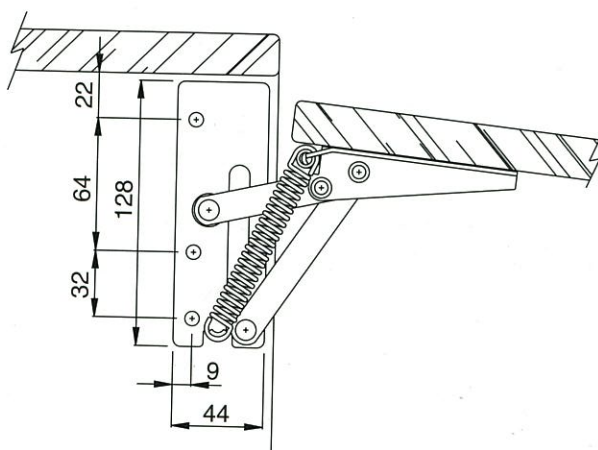
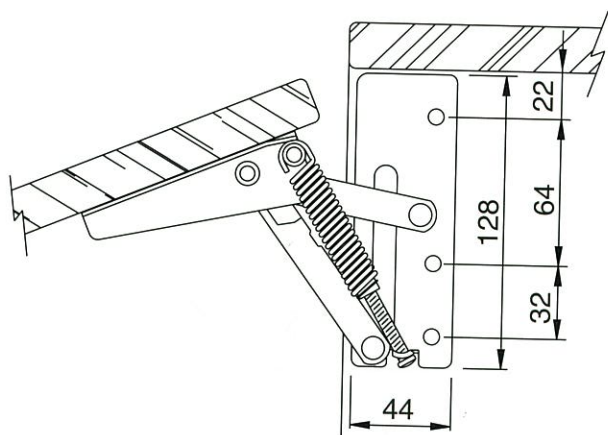
- \* With spring
- \* 75° opening

#### #22361

- \* No spring tension, free swinging
- \* 75° opening

#### #22366

- \* With spring and adjustable screw
- \* 75° or 90° opening adjustable



#### #22364

- \* With spring
- \* 75° or 90° opening adjustable

#### #22365

- \* No spring tension, free swinging
- \* 75° or 90° opening adjustable

