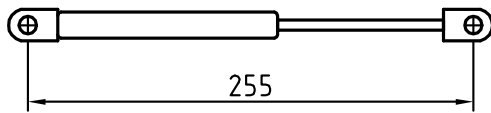
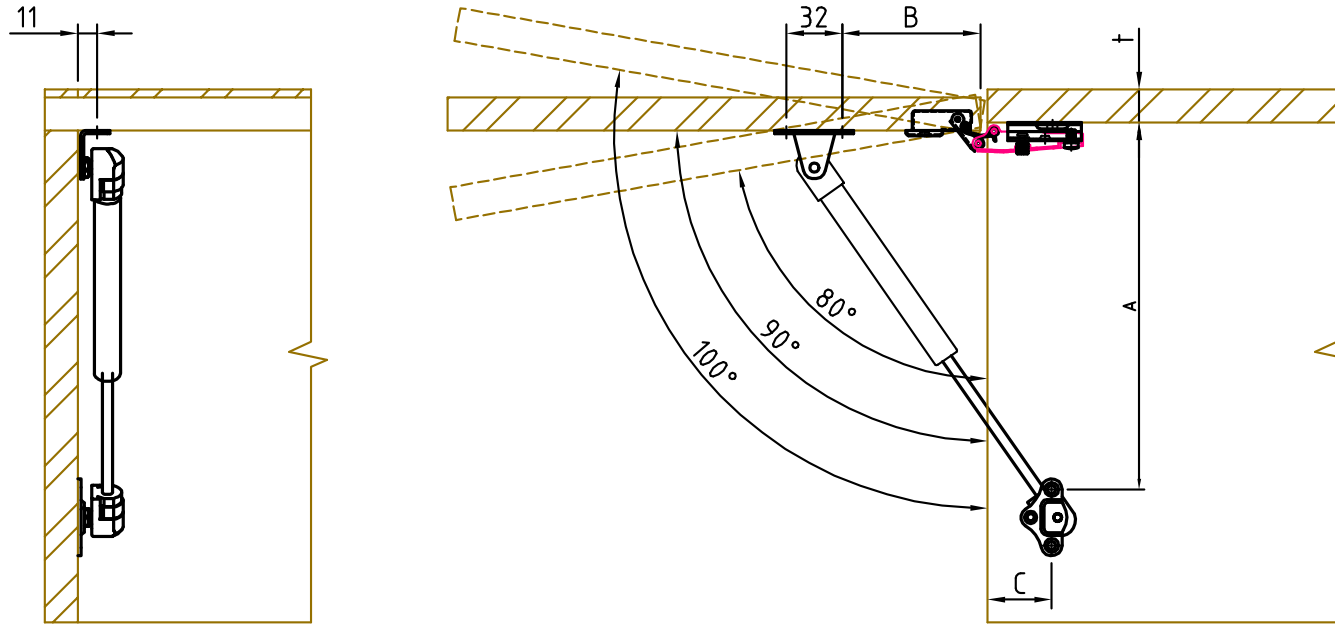


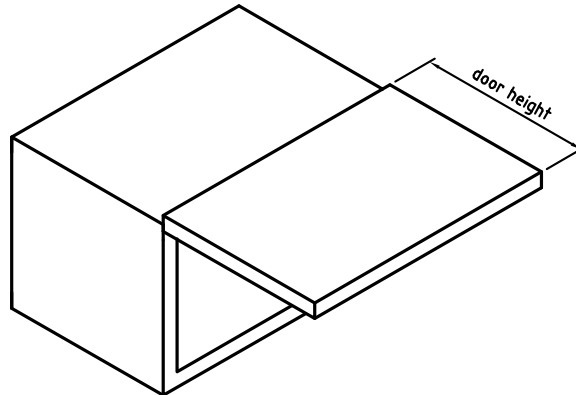
#57870



Door height (cm)/2 \* Door Weight (kg)= \_\_\_\_ kg .cm

Example for assembly:

Angle	A	B	C
80±	238	65+t	37
90±	222	60+t	37
100±	213	52+t	37



SINGLE

Angle \ Type	SP1	SP2
80±	15~65kg .cm	20~102kg .cm
90±	15~53kg .cm	20~85kg .cm
100±	15~42kg .cm	20~68kg .cm

COUPLE

Angle \ Type	SP1	SP2
80±	30~130kg .cm	40~204kg .cm
90±	30~106kg .cm	40~170kg .cm
100±	30~84kg .cm	40~136kg .cm

Door Height: 400mm

Weight of wooden door	1kg	2kg	3kg	4kg	5kg	6kg	7kg
Recommendation	SP1	SP1	SP2	SP1*2	SP2*2	SP2*2	SP2*2

\* There are two choices for Gas Lifts, one is SP1 (8 kgs), another is SP2 (12 kgs).

\* For door length over 750mm, two Gas Lifts are suggested.

